

Glass Block Supply, LLC.
Phone: (386) 676-0770
Fax: (386) 676-0787
www.GlassBlockSupplyLLC.com

w/ Vinyl- PVC
Large/Small
Missile Impact



DEPARTMENT OF REGULATORY AND ECONOMIC RESOURCES (RER)
BOARD AND CODE ADMINISTRATION DIVISION
NOTICE OF ACCEPTANCE (NOA)

MIAMI-DADE COUNTY
PRODUCT CONTROL SECTION
11805 SW 26 Street, Room 208
Miami, Florida 33175-2474
T (786) 315-2590 F (786) 315-2599
www.miamidade.gov/economy

Seves Glass Block, Inc.
10576 Broadview Road
Broadview Heights, OH 44147

SCOPE: This NOA is being issued under the applicable rules and regulations governing the use of construction materials. The documentation submitted has been reviewed and accepted by Miami-Dade County RER-Product Control Section to be used in Miami Dade County and other areas where allowed by the Authority Having Jurisdiction (AHJ).

This NOA shall not be valid after the expiration date stated below. The Miami-Dade County Product Control Section (In Miami Dade County) and/or the AHJ (in areas other than Miami Dade County) reserve the right to have this product or material tested for quality assurance purposes. If this product or material fails to perform in the accepted manner, the manufacturer will incur the expense of such testing and the AHJ may immediately revoke, modify, or suspend the use of such product or material within their jurisdiction. RER reserves the right to revoke this acceptance, if it is determined by Miami-Dade County Product Control Section that this product or material fails to meet the requirements of the applicable building code.

This product is approved as described herein, and has been designed to comply with the Florida Building Code, including the High Velocity Hurricane Zone.

DESCRIPTION: Residential Hurricane Resistant Windows with THICKSET® 90 Series Glass Block and ProVantage® Silicone System

APPROVAL DOCUMENT: Drawing No. RHRW-001, titled "Residential Hurricane Resistant Windows with THICKSET® 90 Series Glass Block and ProVantage® Silicone System", sheets 1 through 3 of 3, dated 11/17/2015, prepared by the manufacturer, signed and sealed by Hermes F. Norero, P.E. on 12/19/2017, bearing the Miami-Dade County Product Control revision stamp with the Notice of Acceptance number and expiration date by the Miami-Dade County Product Control Section.

MISSILE IMPACT RATING: Large and Small Missile Impact Resistant

LABELING: Each unit shall bear a permanent label with the manufacturer's name or logo, city, state and following statement: "Miami-Dade County Product Control Approved", unless otherwise noted herein.

RENEWAL of this NOA shall be considered after a renewal application has been filed and there has been no change in the applicable building code negatively affecting the performance of this product.

TERMINATION of this NOA will occur after the expiration date or if there has been a revision or change in the materials, use, and/or manufacture of the product or process. Misuse of this NOA as an endorsement of any product, for sales, advertising or any other purposes shall automatically terminate this NOA. Failure to comply with any section of this NOA shall be cause for termination and removal of NOA.

ADVERTISEMENT: The NOA number preceded by the words Miami-Dade County, Florida, and followed by the expiration date may be displayed in advertising literature. If any portion of the NOA is displayed, then it shall be done in its entirety.

INSPECTION: A copy of this entire NOA shall be provided to the user by the manufacturer or its distributors and shall be available for inspection at the job site at the request of the Building Official.

This NOA revises NOA #15-1201.12 and consists of this page 1 and evidence pages E-1 and F-2, as well as approval document mentioned above.

The submitted documentation was reviewed by Carlos M. Utrera, P.E.



[Signature]
01/31/2018

NOA No. 17-0821.14
Expiration Date: December 1, 2020
Approval Date: February 8, 2018
Page 1

NOTICE OF ACCEPTANCE: EVIDENCE SUBMITTED

I. Evidence submitted under previous NOA's

A. DRAWINGS "Submitted under NOA # 15-1201.12"

1. Drawing No. **RHRW-001**, titled "Residential Hurricane Resistant Windows with THICKSET® 90 Series Glass Block and KWIK'N EZ Silicone System", sheets 1 through 3 of 3, dated 11/17/2015, prepared by the manufacturer, signed and sealed by Hermes F. Norero, P.E.

B. TESTS "Submitted under NOA # 15-1201.12"

1. Test reports on
 - 1) Air Infiltration Test, per FBC, TAS 202-94
 - 2) Uniform Static Air Pressure Test, Loading per FBC TAS 202-94
 - 3) Water Resistance Test, per FBC, TAS 202-94
 - 4) Large Missile Impact Test per FBC, TAS 201-94
 - 5) Cyclic Wind Pressure Loading per FBC, TAS 203-94
 - 6) Forced Entry Test, per FBC, TAS 202-94

along with marked-up drawings and installation diagram of Residential Hurricane Resistant Windows with THICKSET 90 glass block and KWIK'N EZ Silicone System", prepared by Intertek/Architectural Testing, Inc., Test Report No. **F0556.01-501.18**, dated 11/17/2015, signed and sealed by Joseph A. Reed, P.E.

"Submitted under NOA # 04-0301.01"

2. Test reports on
 - 1) Air Infiltration Test, per FBC, TAS 202-94
 - 2) Uniform Static Air Pressure Test, Loading per FBC TAS 202-94
 - 3) Water Resistance Test, per FBC, TAS 202-94
 - 4) Large Missile Impact Test per FBC, TAS 201-94
 - 5) Cyclic Wind Pressure Loading per FBC, TAS 203-94
 - 6) Forced Entry Test, per FBC 2411 3.2.1, TAS 202-94

along with marked-up drawings and installation diagram of Series/Model 8" x 8" x 4" THICKSET 90 glass block assembly", prepared by Architectural Testing, Inc., Test Report No. **01-44639.03**, dated 12/02/2003, signed and sealed by Joseph A. Reed, P.E.

C. CALCULATIONS "Submitted under NOA # 15-1201.12"

1. Anchor calculations prepared by Building Drops, Inc., dated 12/08/2015, signed and sealed by Hermes F. Norero, P.E.

"Submitted under NOA # 12-0406.05"

2. Anchor calculations prepared by Building Drops, Inc., dated 04/03/2012, signed and sealed by Hermes F. Norero, P.E.

"Submitted under NOA # 04-0301.01"

3. Calculations prepared by Engineering Analytics, Inc, sheets 1 through 4, of Thickset Series Fasteners, dated 05/02/2005, signed and sealed by Carol D. Hays, P.E.



Carlos M. Utrera, P.E.
Product Control Examiner
NOA No. 17-0821.14
Expiration Date: December 1, 2020
Approval Date: February 8, 2018

NOTICE OF ACCEPTANCE: EVIDENCE SUBMITTED

D. QUALITY ASSURANCE

1. Miami-Dade Department of Regulatory and Economic Resources (RER)

E. MATERIAL CERTIFICATIONS

1. Notice of Acceptance No. **14-0909.11**, issued to Cardinal Systems, Inc., for their Rigid PVC Extrusions for Glass Block, approved on 12/11/2014 and expiring on 12/01/2020.

F. STATEMENTS "Submitted under NOA # 15-1201.12"

1. Statement letter of code conformance to the 5th edition (2014) of the FBC and of no financial interest, issued by Building Drops, dated 12/08/2015, signed and sealed by Hermes F. Norero, P.E.

"Submitted under NOA # 12-0406.05"

2. Statement letter of code conformance to 2010 FBC and no financial interest, issued by Building Drops, dated 04/03/2012, signed and sealed by Hermes F. Norero, P.E.

2. New evidence submitted

A. DRAWINGS

1. Drawing No. **RHRW-001**, titled "Residential Hurricane Resistant Windows with THICKSET® 90 Series Glass Block and ProVantage® Silicone System", sheets 1 through 3 of 3, dated 11/17/2015, prepared by the manufacturer, signed and sealed by Hermes F. Norero, P.E. on 12/19/2017.

B. TESTS

1. None.

C. CALCULATIONS

1. Product Evaluation Report No. 4742, prepared by Building Drops, dated 04/12/2017, signed and sealed by Hermes F. Norero, P.E.

D. QUALITY ASSURANCE

1. Miami-Dade Department of Regulatory and Economic Resources (RER)

E. MATERIAL CERTIFICATIONS

1. None.

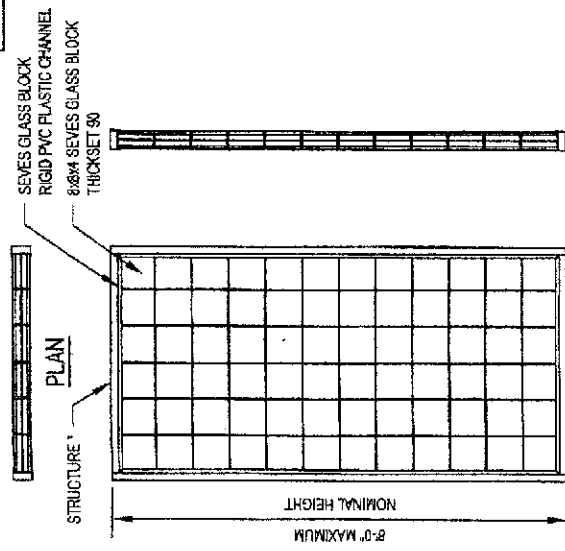
F. STATEMENTS

1. Statement letter of code conformance to the 6th Edition (2017) FBC issued by Building Drops, dated 12/15/2017, signed and sealed by Hermes F. Norero, P.E.
2. Testing schedule letter issued by Intertek, dated 12/08/2017, signed by Vicki L. McElwain.
3. Agreement and bill of sale dated 08/24/2016.
4. Declaration of the ownership dated 12/01/2016.


01/31/2018

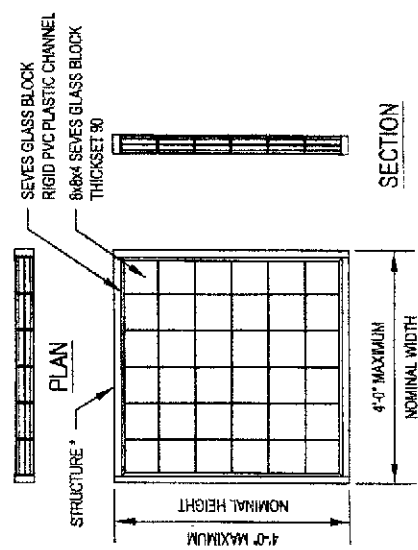
Carlos M. Utrera, P.E.
Product Control Examiner
NOA No. 17-0821.14
Expiration Date: December 1, 2020
Approval Date: February 8, 2018

REVISIONS	
REV	DATE



IMPACT RESISTANT
DESIGN PRESSURE RATING
± 80.0 PSF

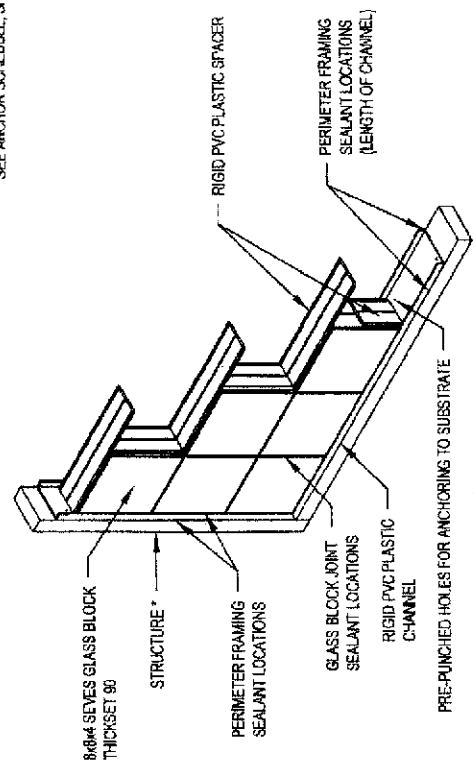
ELEVATION
6 BLOCKS x 12 BLOCKS



IMPACT RESISTANT
DESIGN PRESSURE RATING
± 100.0 PSF

ELEVATION
6 BLOCKS x 6 BLOCKS

* SEE ANCHOR SCHEDULE, SHEET 3.



PRODUCT REVISED
as complying with the Florida Building Code
NOT-NO. 17-0821.14
Expiration Date 12/01/2020
By *[Signature]*
Miami-Dade Product Control

Professional Engineer
STATE OF FLORIDA
No. 173778
HERNANDEZ, MORERO

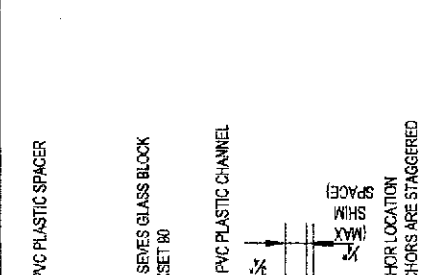
RESIDENTIAL HURRICANE RESISTANT WINDOWS WITH THICKSET® 90 SERIES GLASS BLOCK AND PROVANTAGE® SILICONE SYSTEM

SEVES GLASS BLOCK, INC.
10576 BROADVIEW ROAD
BROADVIEW HEIGHTS, OH 44147

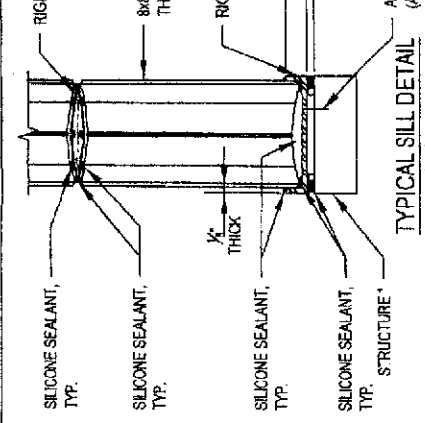
SCALE: 1/2" = 1'-0"
DWS, NLA

BY LMS DATE 11/17/2015 SHEET 1 OF 3
REV 0

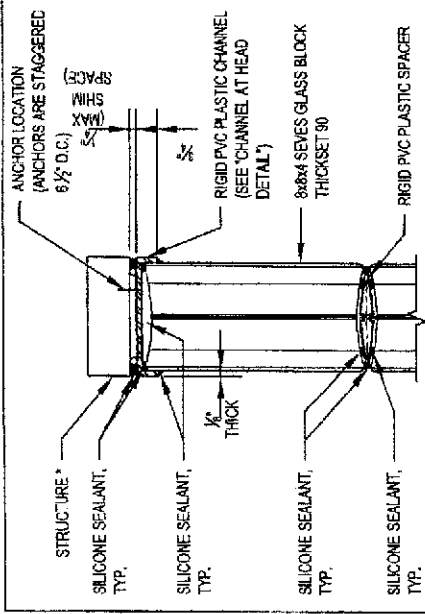
REVISIONS		
REV	DESCRIPTION	DATE



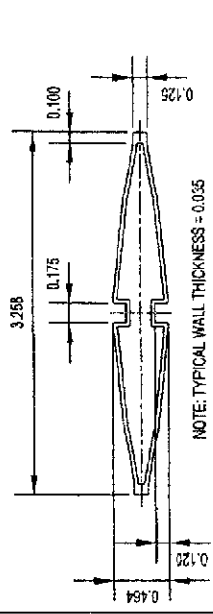
TYPICAL SILL DETAIL
SCALE: 3" = 1'-0"



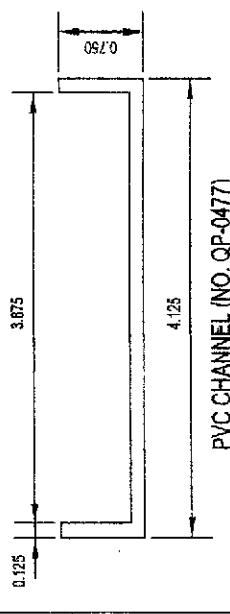
TYPICAL JAMB DETAIL
SCALE: 3" = 1'-0"



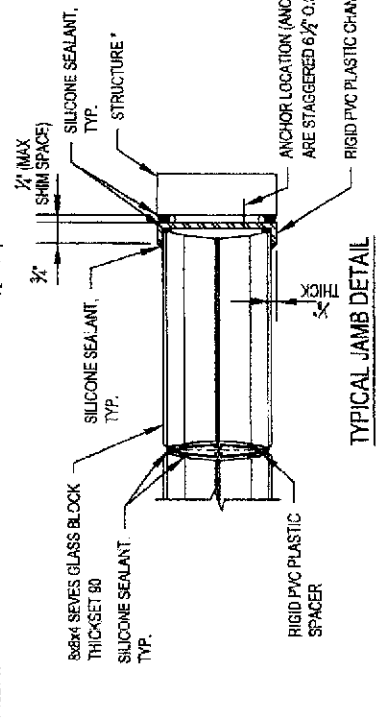
TYPICAL HEAD DETAIL
SCALE: 3" = 1'-0"



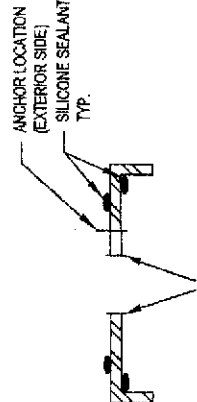
NOTE: TYPICAL WALL THICKNESS = 0.035
PVC SPACER (NO. QP-0514)
CARDINAL SYSTEMS, INC.
SCALE: 1:1



PVC CHANNEL (NO. QP-0477)
CARDINAL SYSTEMS, INC.
SCALE: 1:1



CHANNEL AT HEAD DETAIL
SCALE: 1/2" = 1"



PERIMETER CHANNEL, AT HEAD, TO BE CUT LENGTHWISE DOWN THE CENTER FOR INSTALLATION OF LAST ROW OF GLASS BLOCK.

HALF CHANNEL PIECE THAT IS SECURED WITH SCREWS, SHOULD BE ON THE EXTERIOR SIDE.

1/2" BEAD OF SEALANT APPLIED HORIZONTALLY ACROSS THE TOP INSIDE CORNERS OF CHANNEL HALVES.

PRODUCT REVISED
in compliance with the Florida Building Code
NO. 16-17-0824-14
Expiration Date 12/01/2020
By: [Signature]
Miami-Dade Product Control



Residential Hurricane Resistant Windows
With THICKSET® 90 Series Glass Block
And ProVantage® Silicone System

SEVES GLASS BLOCK, INC.
10676 BROADVIEW ROAD
BROADVIEW HEIGHTS, OH 44147

SCALE: VARIES
DATE: 11/17/2015
BY: LMS
SHEET: 2 OF 3
REV: 0